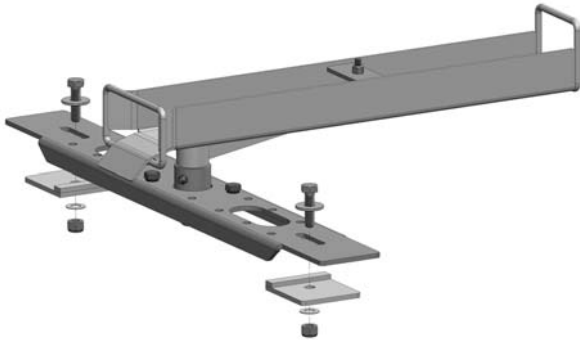


SWIVEL ARM

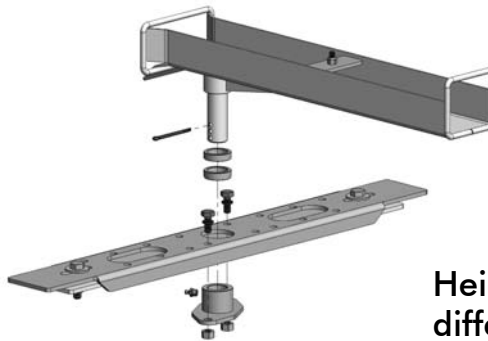
OMFB is pleased to introduce a new swivel arm for semitrailers tubes support.



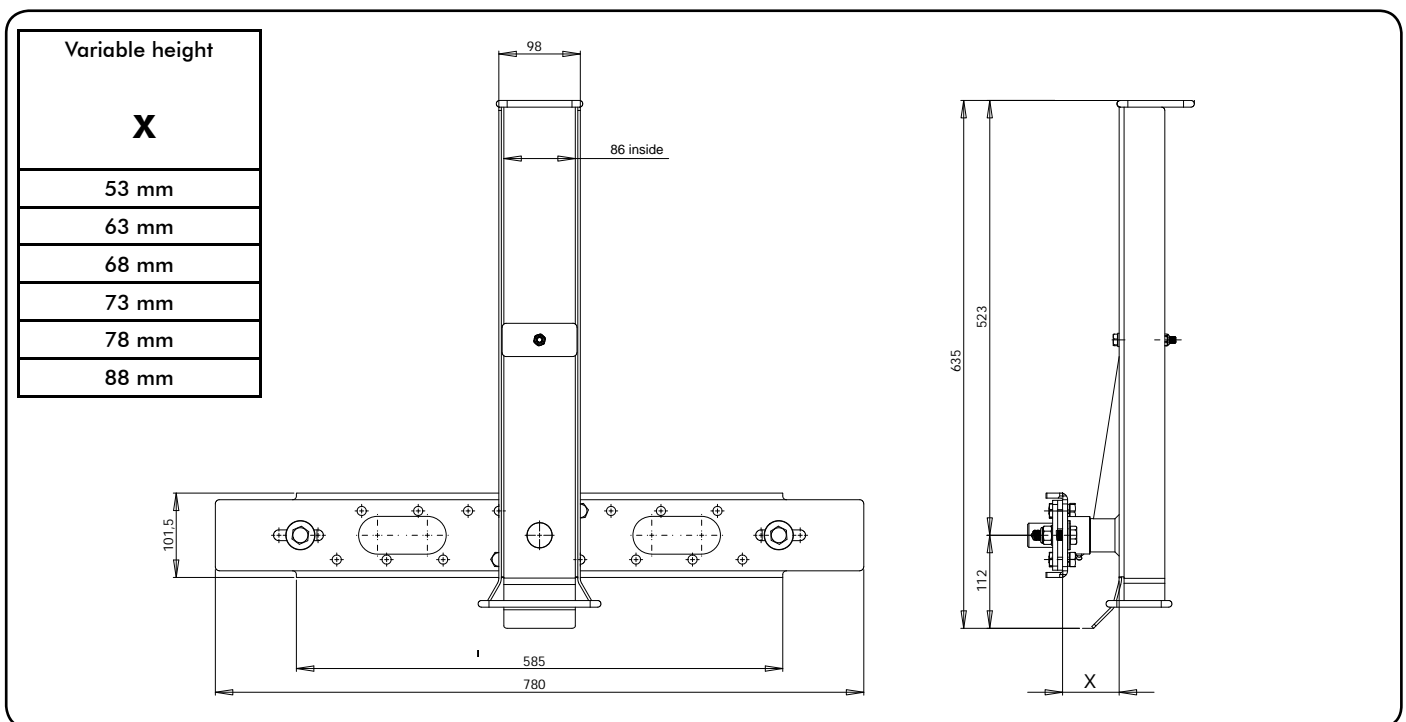
Swivel arm to be applied on the rear side of the Tractor Unit. It allows the hoses to follow the semitrailer's movements, without the necessity of using additional fittings. Painted with grey RAL 7021 epoxy dust, it has a complete steel structure and it comes complete with greaser for helping the maintenance operations.

Order code:

• **122-015-00255**



Height adjustable in 6 different positions (X).



For any information you may need, please contact export department.